

# Ascentac

## Optical Power Meter

Ascentac OPM110



### High Accuracy, Maximum Dynamic Range of 76 dB & High Power Measurement Capability

Ascentac OPM110 Series, Optical Power Meter, is widely used with 7 wavelength selections, including 850nm, 1300nm, 1310nm, 1490nm, 1550nm, 1625nm & 1650nm. The dynamic range from +26 to -50 dBm or +6 to -70 dBm provides high accuracy for optical power measurement in fiber-optic networks. It can be used for absolute and relative optical power measurement.

Ascentac OPM110 Series has built-in visual fault locator (VFL) and features excellent mobility owing to its mini-size and light weight. It can be powered by dry batteries. Its low power consumption and auto shutdown function allow extended operation in the field.

The OLED display makes measured values read easily. The interface with clearly labeled and intuitive key pad is easy for use. What's even better is that Ascentac OPM110 Series is fairly budget-friendly.

#### Benefits

- 7 calibration wavelengths
- Maximum Dynamic Range of 76 dB
- Wavelength memory function
- Auto shutdown for extending the battery life
- Display Units: dB, dBm, mW

#### Application

- Optical power or loss measurement in telecom or CATV installation and maintenance

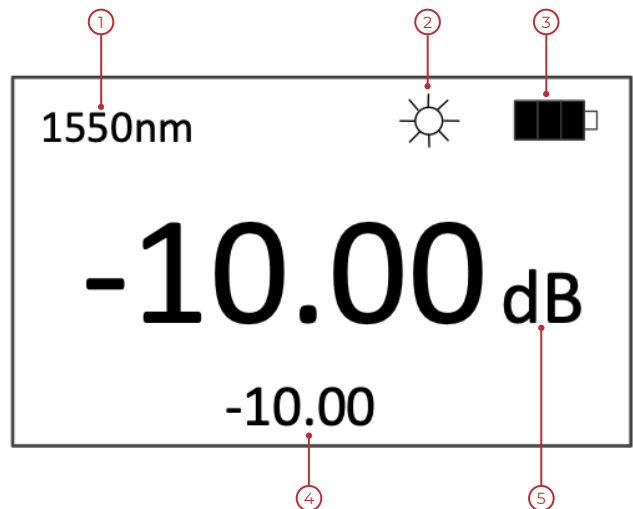
## Description

- ① Optical interface for VFL
- ② High resolution OLED display
- ③ Optical interface for OPM
- ④ Dust cap for protecting optical interface
- ⑤ 3 AAA-size dry batteries (Easily obtained)
- ⑥ Intuitive interface for easy use
- ⑦ USB Type-C interface



## Measurement Display

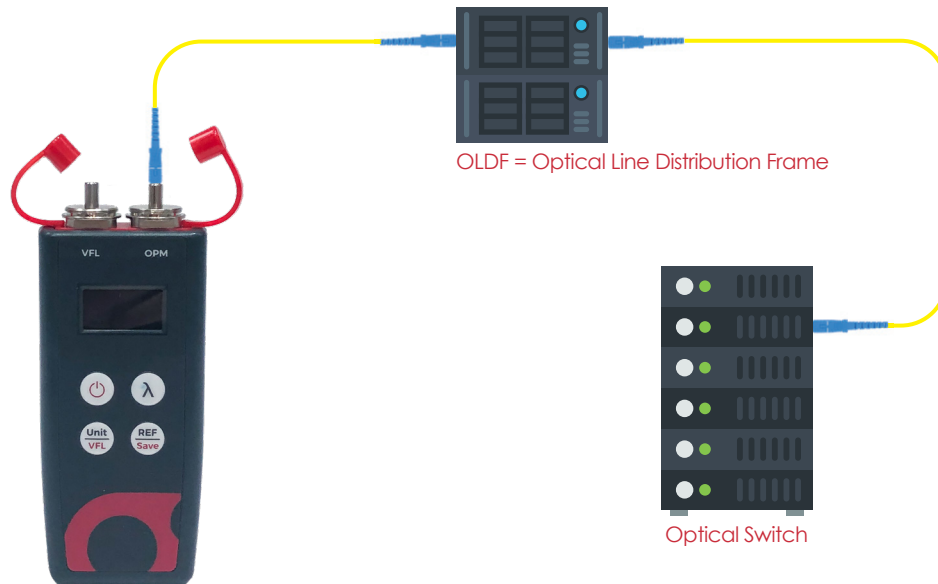
- ① Wavelength (850nm, 1300nm, 1310nm, 1490nm, 1550nm, 1625nm, 1650nm)
- ② Laser-on status
- ③ Battery status (Low battery indicator) to remind users of replacing batteries
- ④ Reference value
- ⑤ Measured value in dBm or mW (With reference value, the unit on display is dB.)



## When to Use OPM110

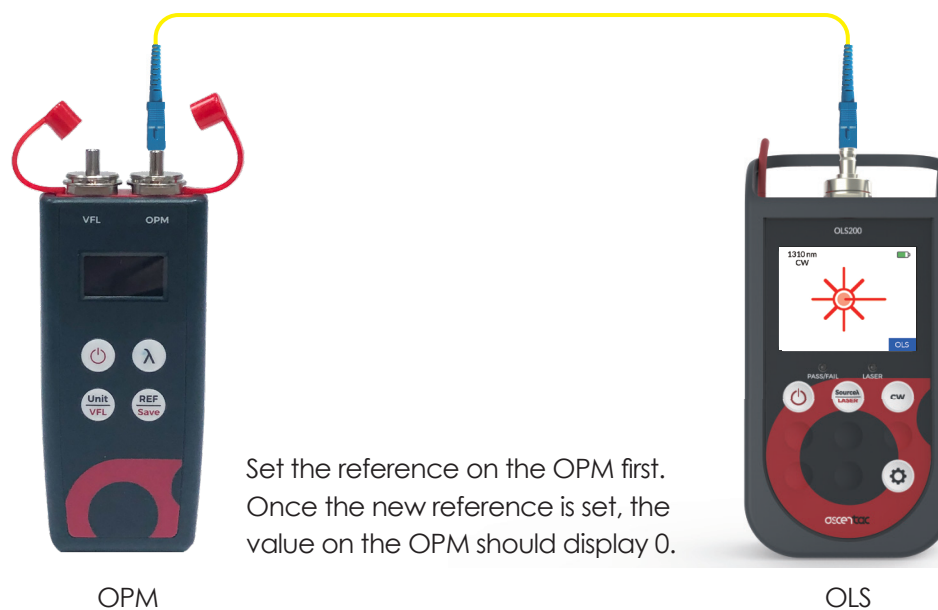
### 1. Optical Power Measurement

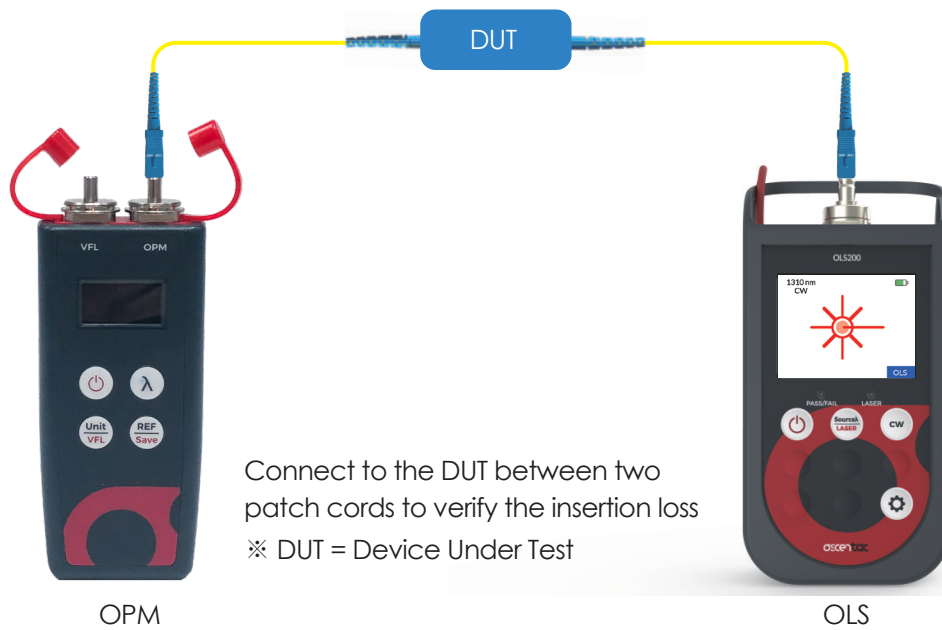
Connect one end of the patch cord to the adapter cap and the other end to the optical output to be measured



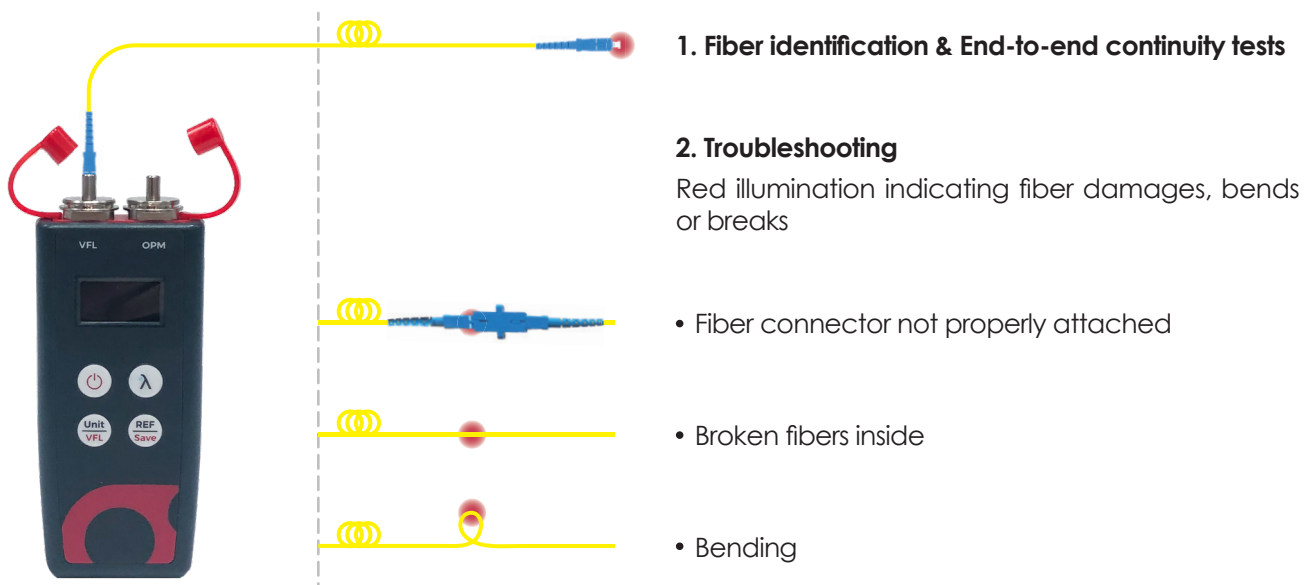
### 2. Optical Loss Measurement

Performing with OLS to measure optical power to calculate optical loss





## When to Use Built-in VFL in OPM110



# Specification

## OPM Specification

Power range (dBm)	+6 to -70	+26 to -50
Uncertainty (dB)	$\pm 5\%$ or $\leq \pm 0.25$ dB (@ -10dBm or -20dBm)	
Resolution (dB)	0.01	
Calibrated Wavelength(nm)	850, 1300, 1310, 1490, 1550, 1625, 1650	
Optical Connector	Universal 2.5mm	

## VFL Specification

Wavelength (nm)	650 $\pm$ 10 (Visible)
Output Power (mW)	1
Modulation Output	CW (Continuous Wavelength), 1Hz, 2Hz
Distance (km)	> 5
Optical Connector	Universal 2.5mm

## Display

0.96 inch white OLED display

## Power Supply

Dry batteries AAA-size x 3 or USB Type C interface

Stand-by Time (month)	$\geq 10$
-----------------------	-----------

## Environment

Working Temperature (°C)	0 to +50
--------------------------	----------

Storage Temperature (°C)	-10 to +60
--------------------------	------------

Relative Humidity (%)	5 to 95, Non-condensing
-----------------------	-------------------------

## Dimensions and Weight

Size (H x W x D) (mm)	128 x 52 x 22
-----------------------	---------------

Weight (g) (batteries excluded)	116
---------------------------------	-----

## Standard Accessories

Main unit, AAA battery 3pcs, One-year warranty

## Ordering Information

**OPM 01-0011 X**

**Power Range** 

- 1 : +6dBm to -70dBm
- 2 : +26dBm to -50dBm

**Note** : 1. OPM with built-in universal 2.5mm tip sleeve.  
 2. Incl. Visual Fault Locator (VFL) with output power 1mW and universal 2.5mm tip sleeve.

### Option

**Adaptor for OPM**

A0-00121	2.5mm Universal Connector Male to FC Female Adapter
A0-00122	2.5mm Universal Connector Male to SC Female Adapter
A0-00123	2.5mm Universal Connector Male to LC Female Adapter

**Carrying Bag with Shoulder Strap**

A0-00801	Carrying Bag with Shoulder Strap
----------	----------------------------------

**USB Cable**

A0-00305	USB-A to USB-C
----------	----------------

**Adapter Cleaning Sticks - 100 pcs/box**

02-0A110	1.25mm without ESD (Electro-Static Discharge)
02-0A120	2.5mm without ESD (Electro-Static Discharge)
02-0B110	1.25mm with ESD (Electro-Static Discharge)
02-0B120	2.5mm with ESD (Electro-Static Discharge)

**Fiber Cleaner - 400 wipes/pc**

02-00411	Reusable Fiber Cleaner--1 slot
02-00412	Reusable Fiber Cleaner--2 slots
02-00421	Cartridge--1 slot
02-00422	Cartridge--2 slots

**Example** : OPM 01-00121  
 Option: A0-00121, 02-0A110



**Ascentac Inc.**  
 Tax ID:50806831  
 Tel:07-398-1000  
 Fax:07-398-3965  
 Web:www.ascentac.com  
 Email:sales@ascentac.com  
 11F.-1, No. 80, Minzu 1st Rd., Sanmin Dist.,  
 Kaohsiung City 807, Taiwan (R.O.C.)



Distributor :